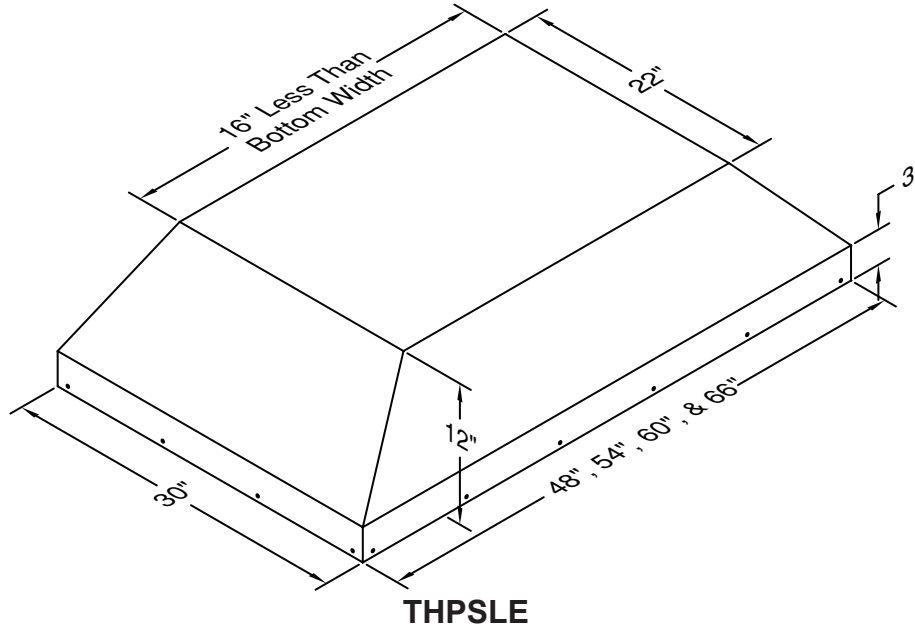
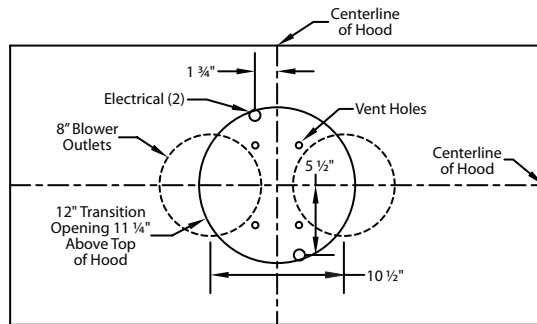


Vent Hood® ISLAND LINER INSERT SPECIFICATIONS

THPSLE Equipped with LED lighting. Not available with heat lamps.

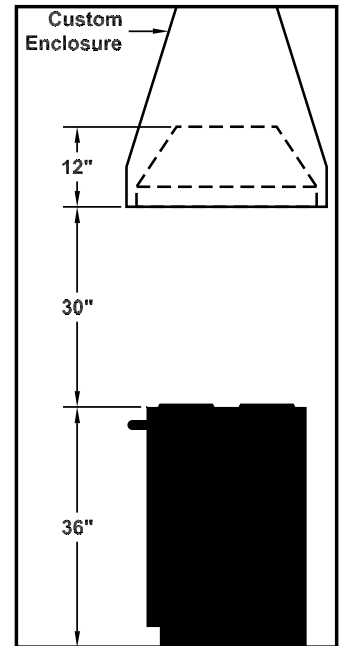


Connection Diagram (48" - 66" Widths)

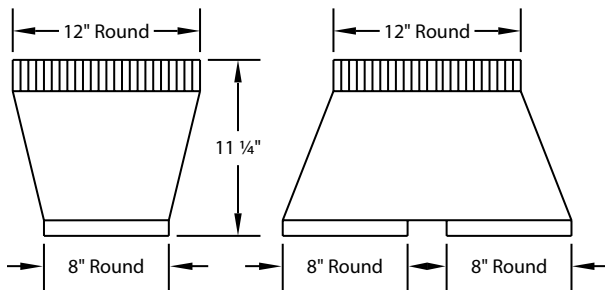


**1100 CFM T400 Cluster Blower
(Top View)**

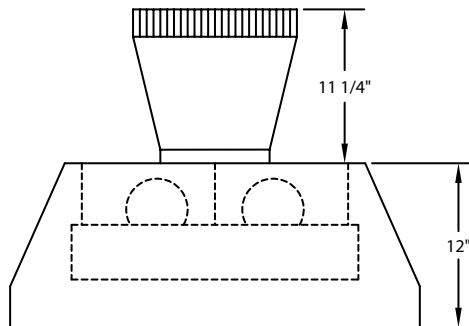
Recommended Mounting Height*



*Recommended mounting height is for optimum performance.



**VP564 Standard Transition
(Included)**



**Transition Installed
(Side View)**

Electrical/Mechanical Specifications For Blower Units

Model	Volts	Amps	Hz	RPM	CFM SP@0.0"	Equivalent CFM*	CFM SP@0.1"	CFM SP@0.2"	CFM SP@0.3"	Minimum Round Duct Size	Sones#
T400 Island Cluster	115	7.5	60	1550	1100	1800	998	855	774	12" (113 in. ²)	6.4

Hood is available with LED lights (one in each corner).
 * Because the Magic Lung® blower uses centrifugal filtration rather than conventional baffle or mesh filters, the Magic Lung® blower can handle cooking equipment with higher cubic feet per minute (CFM) requirements and can deliver equivalent CFM much more efficiently than other filtration systems. When comparing the Magic Lung® with other blower units made by other manufacturers, use the "Equivalent CFM".
 # Ratings in accordance with the Standard Test Code by the Energy Systems Laboratory of the Texas Engineering Experiment Station.