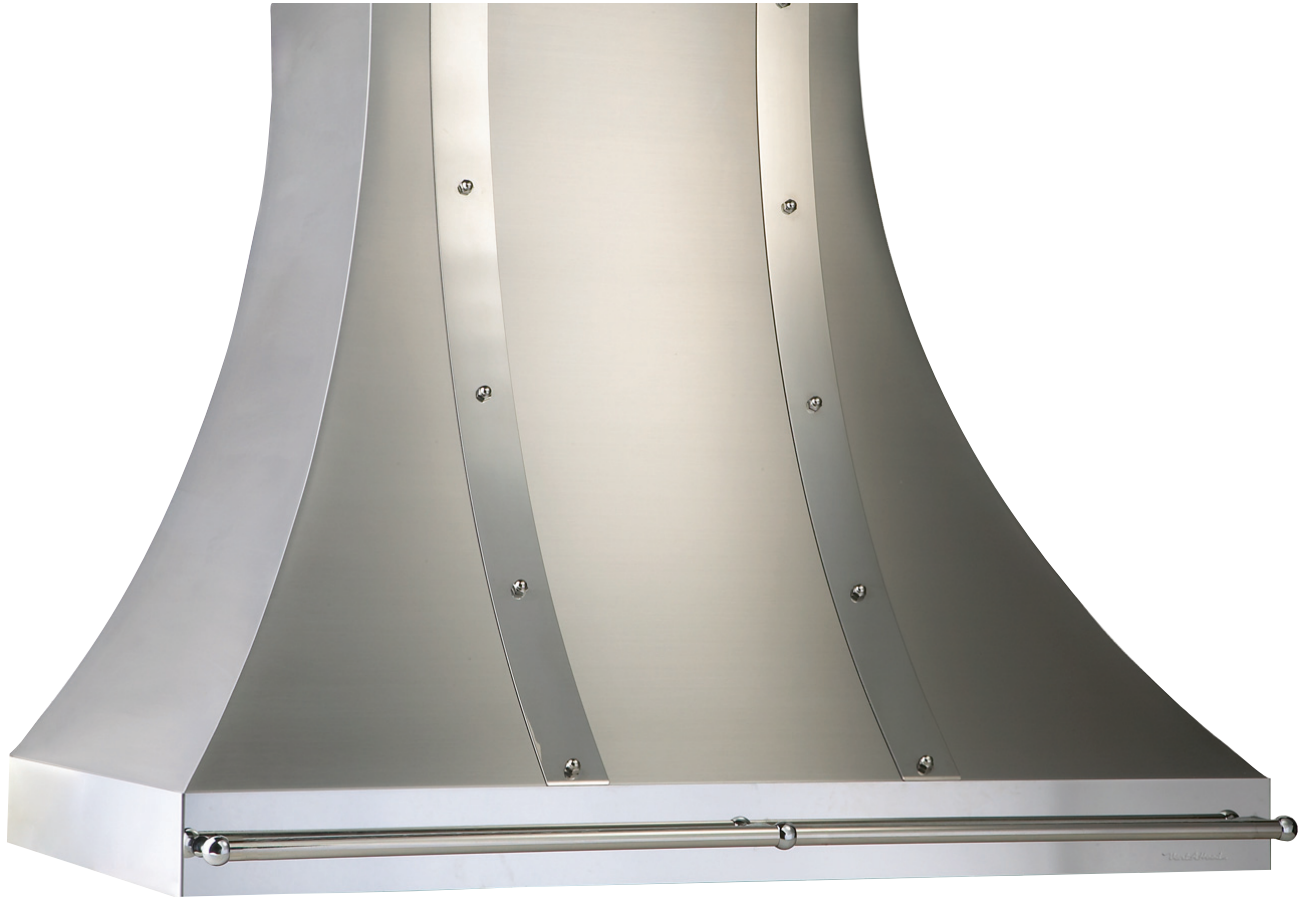


# DESIGNER SERIES



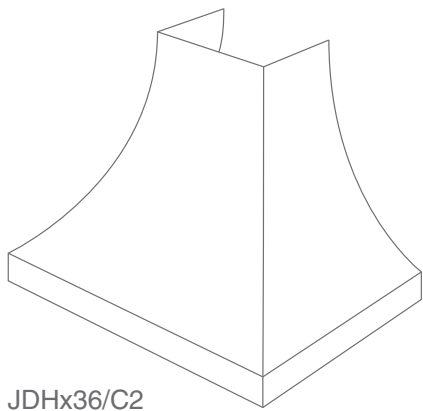
FINISH: STAINLESS STEEL

OPTIONS: MIRROR SS LIP TREATMENT, BANDS ATTACHED WITH SS HEX NUTS AND POT RAIL

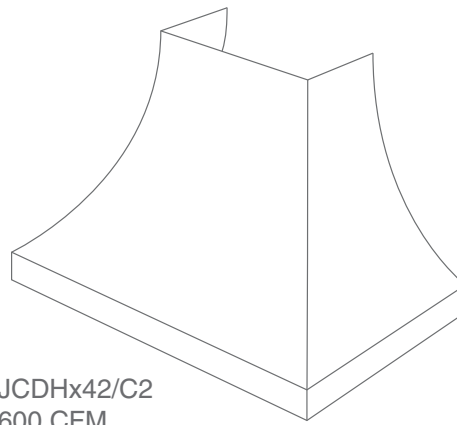
JDH/C2 SERIES

*VentAhood*<sup>®</sup>

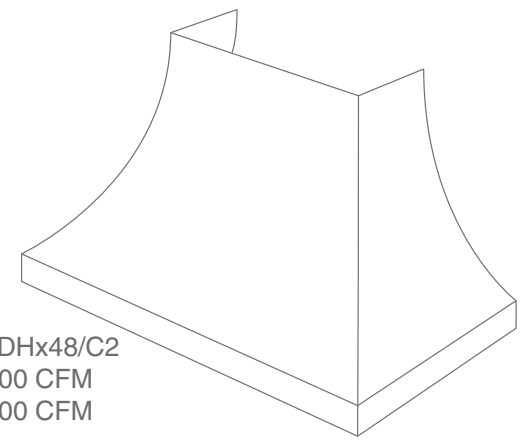
Build your own at [ventahood.com](http://ventahood.com)



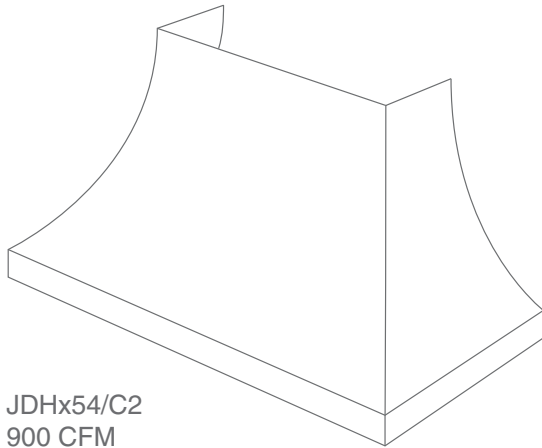
JDHx36/C2  
600 CFM



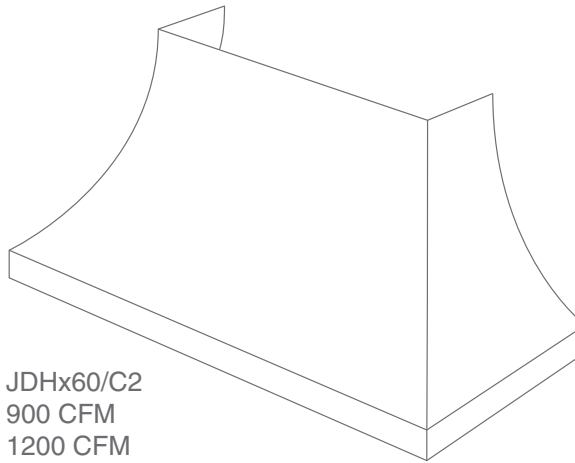
JCDHx42/C2  
600 CFM



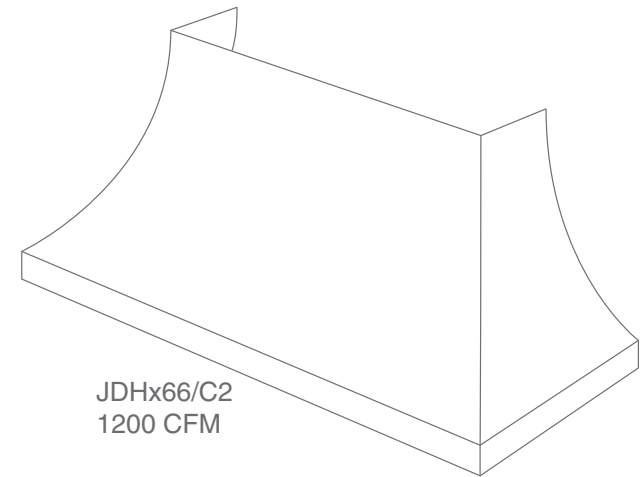
JDHx48/C2  
600 CFM  
900 CFM



JDHx54/C2  
900 CFM  
1200 CFM



JDHx60/C2  
900 CFM  
1200 CFM



JDHx66/C2  
1200 CFM

## MECHANICAL SPECIFICATIONS

Model Number	Dimensional Information						Blower Configurations		
	Width	Depth	Height	Lip	Top Width	Top Depth	600 CFM	900 CFM	1200 CFM
JDHx36/C2	36	24	30	3	18	12	Yes	No	No
JDHx42/C2	42	24	30	3	24	12	Yes	No	No
JDHx48/C2	48	24	30	3	30	12	Yes	Yes	No
JDHx54/C2	54	24	30	3	36	12	No	Yes	Yes
JDHx60/C2	60	24	30	3	42	12	No	Yes	Yes
JDHx66/C2	66	24	30	3	48	12	No	No	Yes