

VentAhood®

**Custom Liner Insert
Measurement Sheets**

CUSTOM WALL MOUNT LINER INSERTS

B-LD Wall Mount Measurements

Top Width: _____

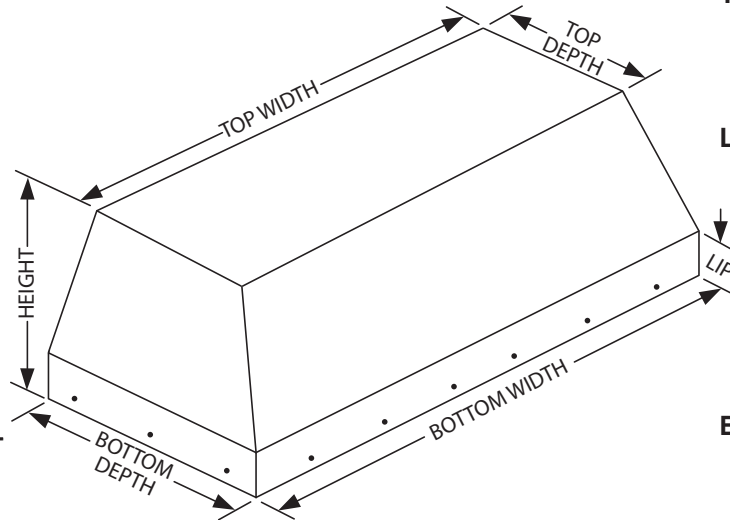
Note: See "Blower Configurations" below for more information.

Height: _____

*Standard: 12"
Minimum: 9"
Maximum: 18"

Bottom Depth: _____

*Standard Depths
Halogen: 18" - 24"
Fluorescent: 15-1/4" - 24"



Top Depth: _____

*Standard: 12" (Minimum)

Lip: _____

*Standard: 3" (Minimum)

Bottom Width: _____

*Standard dimensions are available at no additional cost. Additional charges will apply for non-standard dimensions.

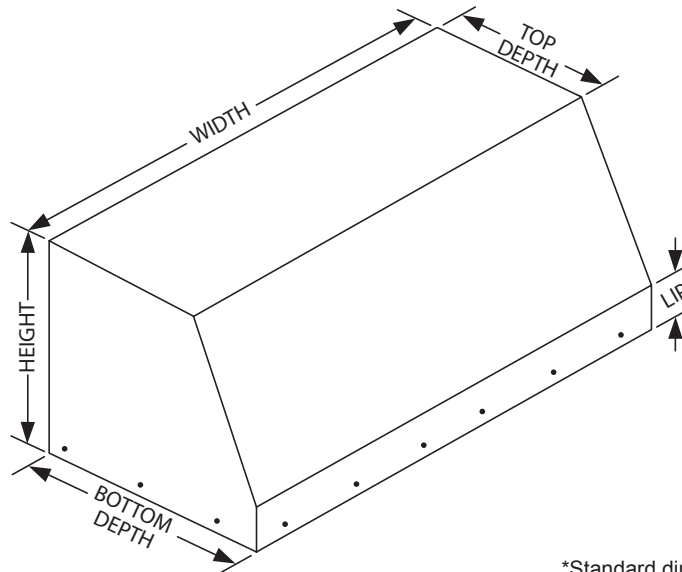
B-LB Wall Mount Measurements

Height: _____

*Standard: 12"
Minimum: 9"
Maximum: 18"

Bottom Depth: _____

*Standard Depths
Halogen: 18" - 24"
Fluorescent: 15-1/4" - 24"



Top Depth: _____

*Standard: 12" (Minimum)

Lip: _____

*Standard: 3" (Minimum)

Bottom Width: _____

Note: See "Blower Configurations" below for more information.

*Standard dimensions are available at no additional cost. Additional charges will apply for non-standard dimensions.

ADDITIONAL INFORMATION NEEDED FOR EACH MODEL LINER

FINISH

- _____ Painted Color
_____ Stainless Steel

LIGHTING

- _____ Halogen
_____ Fluorescent

BLOWER CONFIGURATION*

- _____ B100 - 300 CFM (Minimum Top Width: 16")
_____ B200 - 600 CFM (Minimum Top Width: 24")
_____ B300 - 900 CFM (Minimum Top Width: 42")
_____ B400 - 1200 CFM (Minimum Top Width 48")
_____ RM1000 - 1000 CFM (Minimum Top Width 24")
_____ RM1500 - 1500 CFM (Minimum Top Width 24")

OPTIONAL ACCESSORIES

- _____ Warming Shelf (WSO)
_____ Warming Bar (WBAR)
Note: Requires 18" Height.
_____ Warming Light (WL-1)
For liners less than 18" tall.
Note: Each light requires 8" of top width.



CUSTOM WALL MOUNT LINER INSERTS

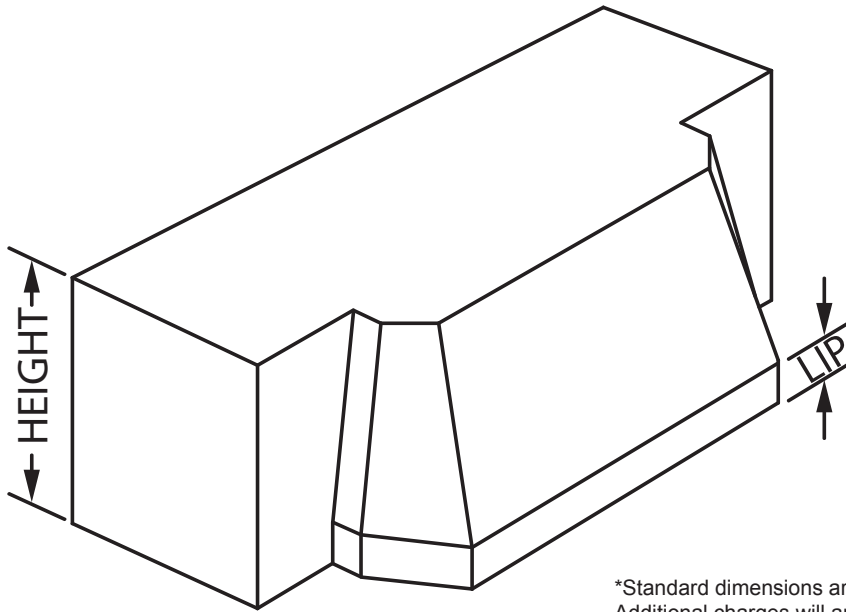
B-LA Wall Mount Measurements

Height: _____

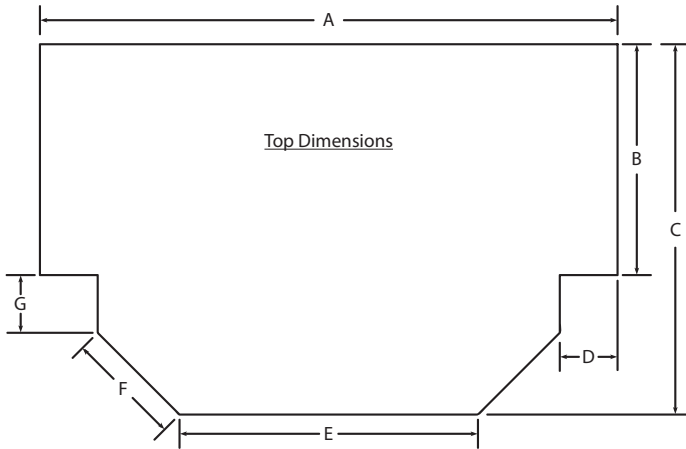
- *Standard: 12"
- Minimum: 9"
- Maximum: 18"

Lip: _____

- *Standard: 3" (Minimum)

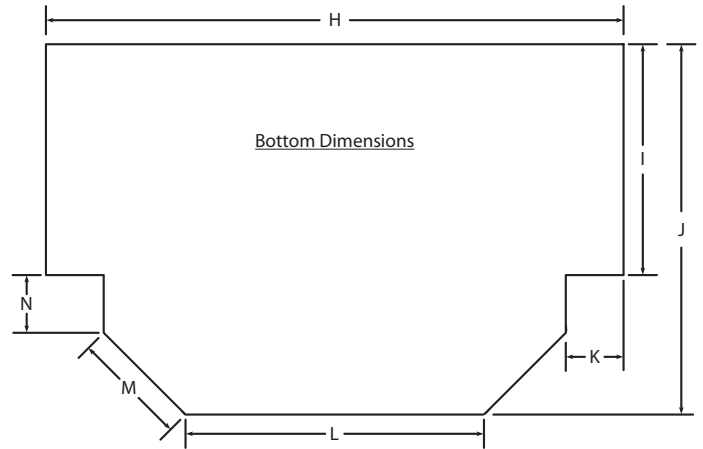


*Standard dimensions are available at no additional cost. Additional charges will apply for non-standard dimensions.



A: _____ C: _____ E: _____ G: _____

B: _____ D: _____ F: _____



H: _____ J: _____ L: _____ N: _____

I: _____ K: _____ M: _____

ADDITIONAL INFORMATION NEEDED FOR EACH MODEL LINER

FINISH

- _____ Painted Color
- _____ Stainless Steel

LIGHTING

- _____ Halogen
- _____ Fluorescent

BLOWER CONFIGURATION*

- _____ B100 - 300 CFM (Minimum Top Width: 16")
- _____ B200 - 600 CFM (Minimum Top Width: 24")
- _____ B300 - 900 CFM (Minimum Top Width: 42")
- _____ B400 - 1200 CFM (Minimum Top Width 48")
- _____ RM1000 - 1000 CFM (Minimum Top Width 24")
- _____ RM1500 - 1500 CFM (Minimum Top Width 24")

OPTIONAL ACCESSORIES

- _____ Warming Shelf (WSO)
- _____ Warming Bar (WBAR)
Note: Requires 18" Height.
- _____ Warming Light (WL-1)
For liners less than 18" tall.
Note: Each light requires 8" of top width.

*Smaller top sizes may be available based on overall liner configurations. Please contact Vent-A-Hood for details.



CUSTOM ISLAND MOUNT LINER INSERTS

T-LE Island Mount Measurements

Top Width: _____

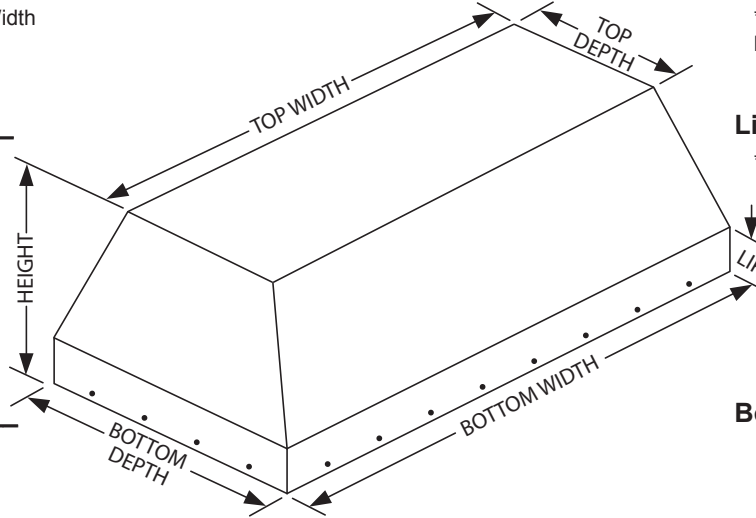
*Standard: 12" Less Than Bottom Width
Note: See "Blower Configurations" below for more information.

Height: _____

*Standard: 12"
Minimum: 9"
Maximum: 18"

Bottom Depth: _____

*Standard: 27" (Minimum)



Top Depth: _____

*Standard: 12" Less Than Bottom Depth
Minimum: 12"

Lip: _____

*Standard: 3" (Minimum)

Bottom Width: _____

*Standard dimensions are available at no additional cost. Additional charges will apply for non-standard dimensions.

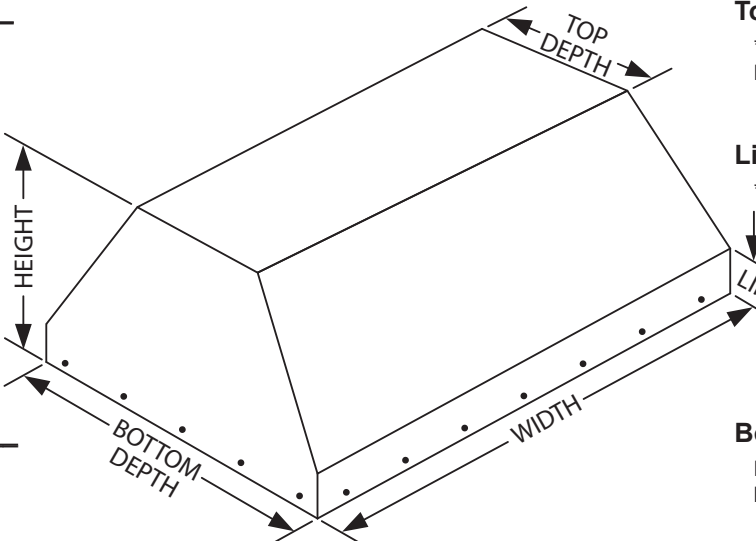
T-LC Island Mount Measurements

Height: _____

*Standard: 12"
Minimum: 9"
Maximum: 18"

Bottom Depth: _____

*Standard: 27" (Minimum)



Top Depth: _____

*Standard: 12" Less Than Bottom Depth
Minimum: 12"

Lip: _____

*Standard: 3" (Minimum)

Bottom Width: _____

Note: See "Blower Configurations" below for more information.

*Standard dimensions are available at no additional cost. Additional charges will apply for non-standard dimensions.

ADDITIONAL INFORMATION NEEDED FOR EACH MODEL LINER

FINISH

- _____ Painted Color
- _____ Stainless Steel

LIGHTING

- _____ Halogen
- _____ Fluorescent

BLOWER CONFIGURATION*

- _____ T200 - 600 CFM (Minimum Top Width: 24")
- _____ T400 - 1200 CFM (Minimum Top Dimensions: 24" Wide x 24" Deep)
- _____ T2+200 - 1200 CFM (Minimum Top Width: 48")
- _____ RM1000 - 1000 CFM (Minimum Top Width 24")
- _____ RM1500 - 1500 CFM (Minimum Top Width 24")

*Smaller top sizes may be available based on overall liner configurations. Please contact Vent-A-Hood for details.