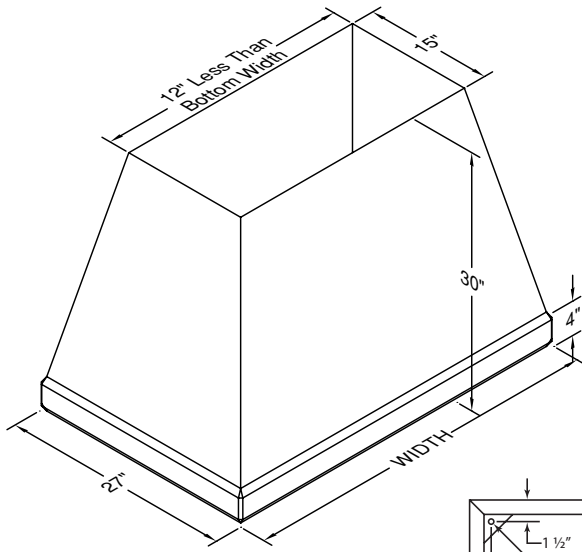
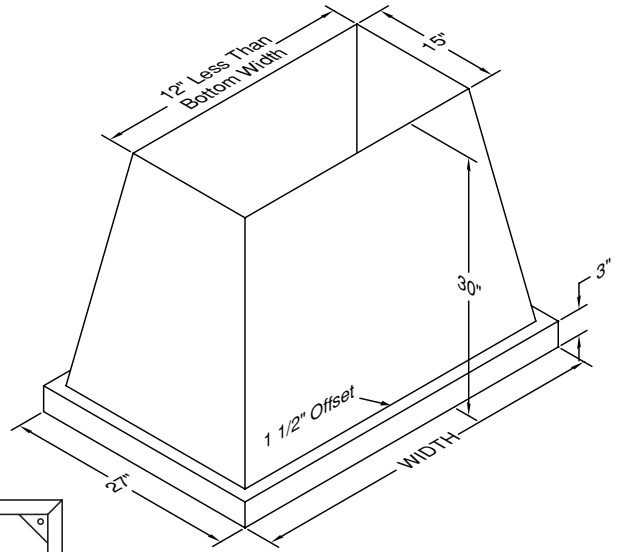


VentA Hood® ISLAND RANGE HOOD SPECIFICATIONS

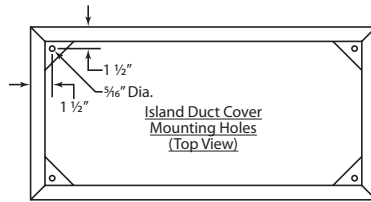
ISL30/ISLH30/PY30/PYH30 "H" in part number indicates halogen lighting. These models not available with heat lamps.



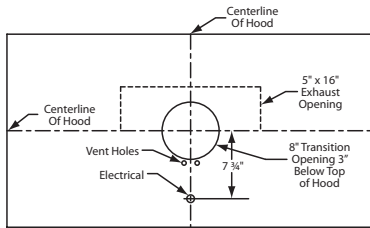
ISL30/ISLH30



PY30/PYH30

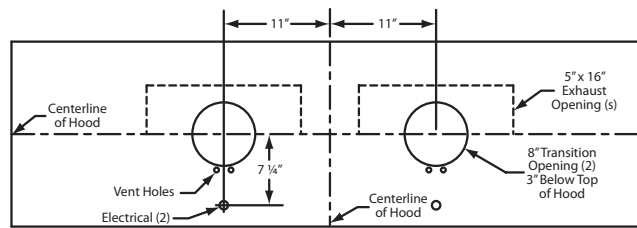


Connection Diagram (36" - 54")



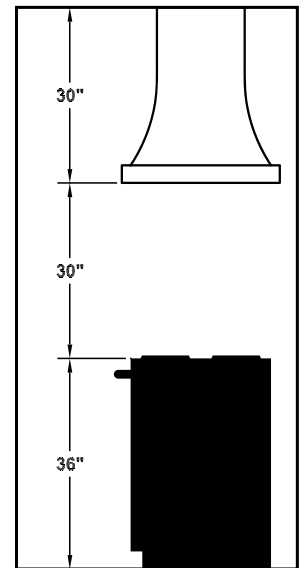
**550 CFM T200 Dual Blower
(Top View)**

Connection Diagram (60" - 66")

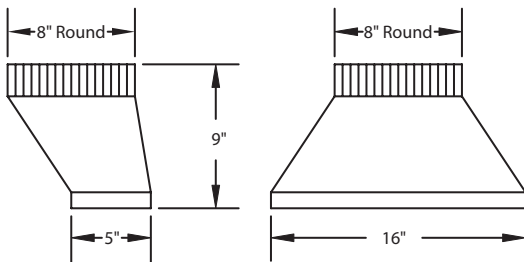


**1100 CFM T2+ 200 Dual Blowers
(Top View)**

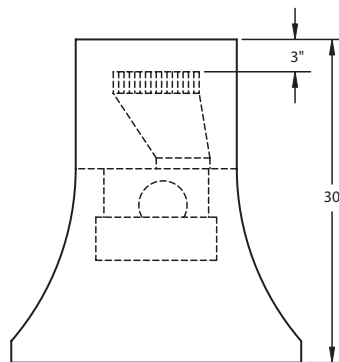
Recommended Mounting Height*



*Exceeding recommended mounting height may compromise performance.



**VP565 Standard Transition
(Included)**



**Transition Installed
(Side View)**

Electrical/Mechanical Specifications For Blower Units

Model	Volts	Amps*	Hz	RPM	CFM SP@0.0"	Equivalent CFM*	CFM SP@0.1"	CFM SP@0.2"	CFM SP@0.3"	Minimum Round Duct Size	Sones#
T200 Island Dual	115	2.9	60	1550	550	900	507	471	431	8" (50 in. ²)	6.0

* Add 0.5 amp for each halogen light. Hood is available with fluorescent lights (two for each dual blower) or with halogen lights (one in each corner).
 # Because the Magic Lung® blower uses centrifugal filtration rather than conventional baffle or mesh filters, the Magic Lung® blower can handle cooking equipment with higher cubic feet per minute (CFM) requirements and can deliver equivalent CFM much more efficiently than other filtration systems. When comparing the Magic Lung® with other blower units made by other manufacturers, use the "Equivalent CFM".
 # Ratings in accordance with the Standard Test Code by the Energy Systems Laboratory of the Texas Engineering Experiment Station.