



Read and Save These Instructions
All Hoods Must Be Installed By A Qualified Installer

INSTALLATION INSTRUCTIONS

WALL MOUNT HOODS

WITH AIR RECOVERY SYSTEM

Read All Instructions Thoroughly Before Beginning Installation

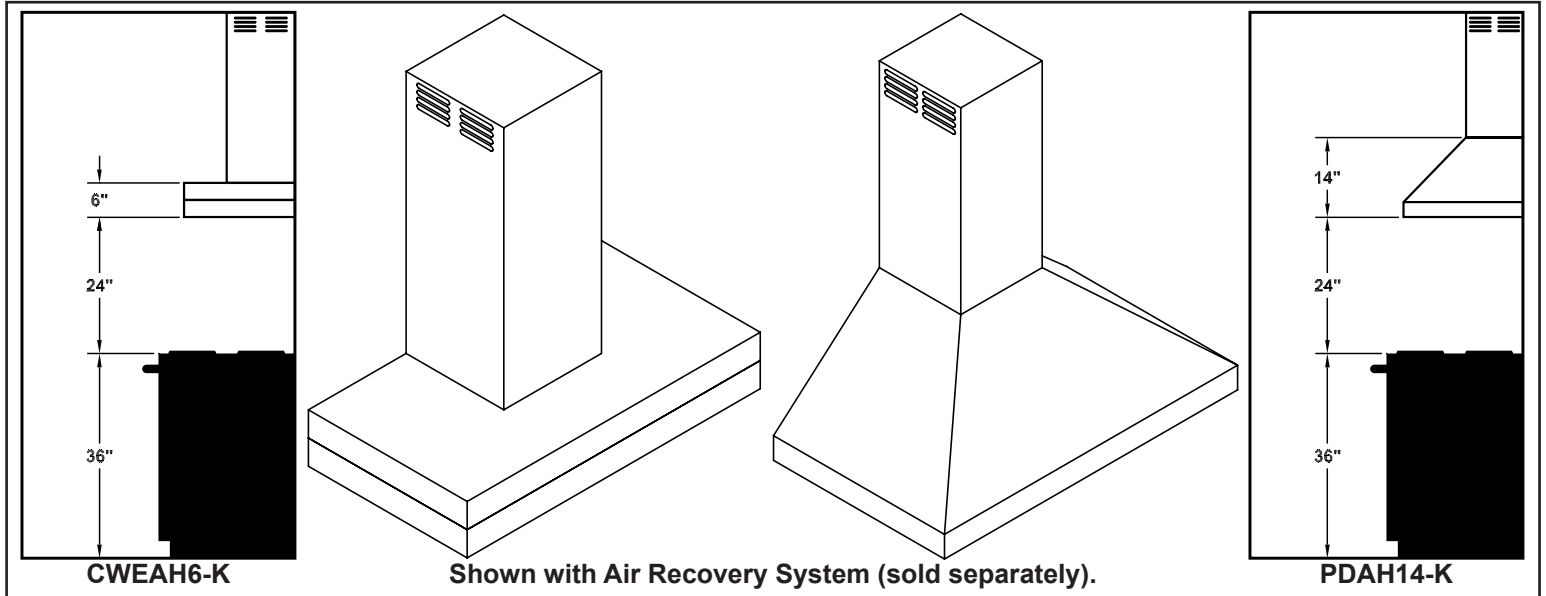
WARNING - TO REDUCE THE RISK OF FIRE, ELECTRIC SHOCK, OR INJURY TO PERSONS, OBSERVE THE FOLLOWING:

- A. Installation work and electrical wiring must be done by qualified person(s) in accordance with all applicable codes and standards, including fire-rated construction. Switch power off at service panel and lock the service disconnecting means to prevent power from being switched on accidentally during installation.**
- B. When cutting or drilling into wall or ceiling, do not damage electrical wiring and other hidden utilities.**
- C. Sufficient air is needed for proper combustion and exhausting of gases through the flue (chimney) of fuel burning equipment to prevent back drafting. Follow the heating equipment manufacturer's guideline and safety standards such as those published by the National Fire Protection Association (NFPA), and the American Society for Heating, Refrigeration and Air Conditioning Engineers (ASHRAE), and local code authorities.**

Vent-A-Hood®

Installation Details

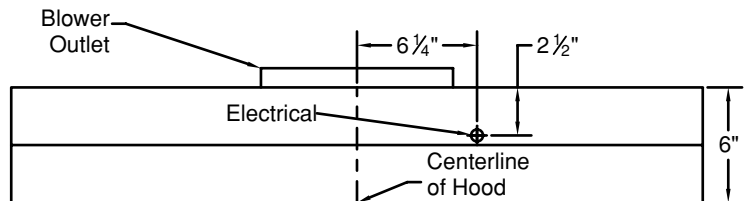
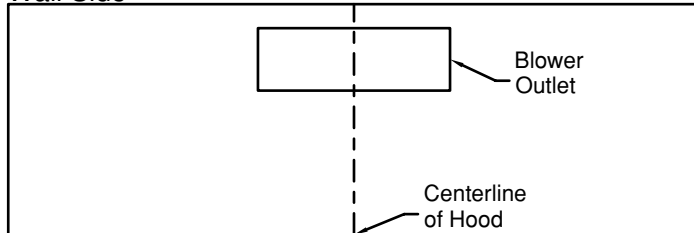
- 1) Read all instructions thoroughly before beginning installation. Note: These instructions apply to standard hoods only. Custom hoods may require additional specification consideration.
- 2) When installing a wall mount Air Recovery System (ARS), it is recommended that the bottom edge of the hood be located no more than 24" above the cooking surface for optimum performance.



- 3) Remove the hood from its packaging and place the back of the hood on the floor or countertop in front of the wall where it will hang.

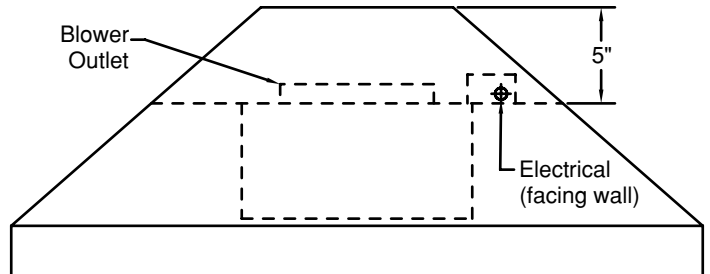
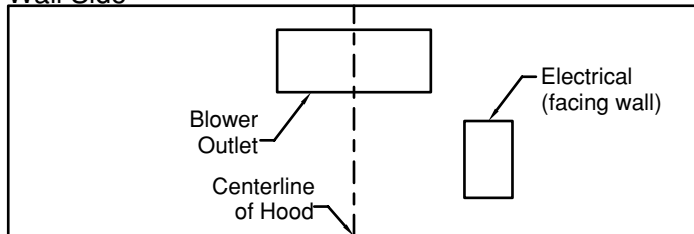
Electrical Diagrams for CWEAH6-K

Wall Side



Electrical Diagrams for PDAH14-K

Wall Side

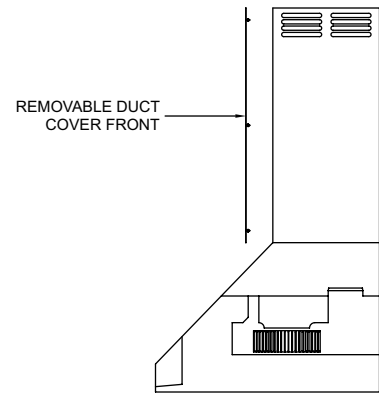


Electrical/Mechanical Specifications For Blower Units

Model	Volts	Amps	Hz	RPM
K250 (Top Vent)	115	3.5	60	1550

Installation Details Continued

- 4) Remove the duct cover from its packaging. Remove the duct cover front panel. The panel is held in place with four snaps at the corners and at least one snap on the left and right. Begin by pulling the panel away at one corner using the suction cup provided. Work around the duct cover disengaging one snap at a time until all the snaps are loose. Beware of sharp corners and edges. Use caution to prevent bending, scratching or dropping the cover. Remove the duct cover mounting screws from the top of the hood. Place the duct cover on the top of the hood and secure it to the hood using the mounting screws previously removed. Lift the hood and duct cover assembly to the location on the wall where it will be installed and lightly mark the wall with a short, horizontal mark along the bottom edge of the hood.



- 5) Remove the hood and duct cover assembly from the wall. On the back side of the hood, measure the distance between the bottom edge of the hood and the top edge of the wood mounting strip. Measure this distance above the horizontal line made in Step 4 and lightly mark the wall with a level, horizontal line. Measure where the center (left to right) of the hood will be and mark the upper, horizontal line on the wall with a short, vertical centerline.
- 6) Remove the screws inside the top of the back of the hood that retain the wood strip that is recessed in the mounting channel. Remove the wood mounting strip from the back of the hood and place the top edge of the strip on the upper, level horizontal line on the wall. Referencing the vertical centerline from Step 5, place the mounting strip on the wall so it is centered (left to right) in the space where the hood will be located. Using proper hardware, attach the mounting strip to at least two wall studs. Note: drill pilot holes in the wood strip to prevent splitting.
- 7) Hang the hood on the mounting strip by aligning the channel at the top of the back of the hood over the wood mounting strip on the wall. While holding the hood in place, mark locations on the mounting strip through the two mounting holes in the channel inside the top of the hood. Remove hood and drill 3/32" pilot holes at the center of marks in the wood strip to prevent splitting.
- 8) Install an appropriate 1/2" UL listed electrical wire clamp through the electrical opening on rear of the hood. Install electrical wiring from the service panel to the hood location. Consult the connection diagrams (on previous page) for further details on electrical placement. Extend wire to the hood.

Warning: Make sure power is off and locked at the service disconnecting means on the service panel during installation.

- 9) Insert the electrical wire from the service panel into the electrical wire clamp on the rear of the hood. Tighten the wire clamp.
- 10) While securing the slack in the wire, lift the hood up to the wall and hang the hood on the mounting strip. Secure the hood to the mounting strip by installing the screws (previously removed in Step 6) into the pilot holes drilled in Step 7.
- 11) Remove the junction box cover to access the internal wiring connections. Using UL listed wire nuts, attach the "neutral" wire to the white lead, the "hot" wire to the black lead, and the ground wire to the green lead inside the junction box. After making all connections, replace the junction box cover.

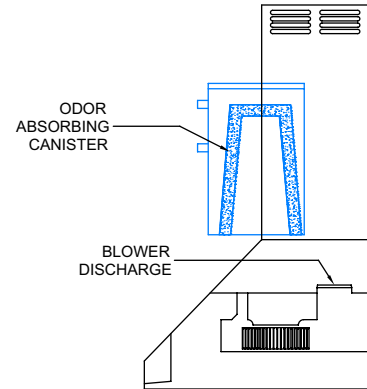
Warning: Do not operate hood without proper ground connection.

- 12) Using appropriate mounting hardware, attach the duct cover to at least one wall stud through the mounting strap in the top of the back of the duct cover.

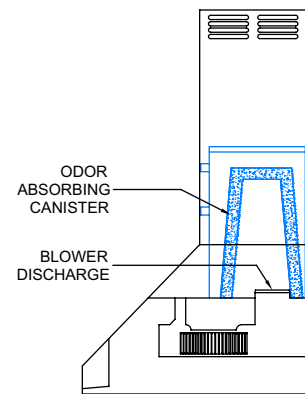
Vent-A-Hood®

Installation Details Continued

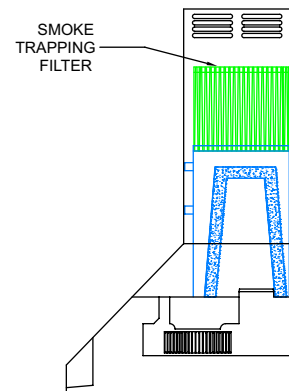
- 13) Remove the filter assembly from its packaging. With the handles towards the front of the range hood, lift the odor absorbing canister. Hold the canister so that the canister bottom is just above the the bottom of the duct cover opening and slide the canister into the duct cover.



- 14) Move the canister all the way to the back and then lower the canister over the blower discharge. Shift the canister front to back and left to right to make sure that the blower discharge and canister have fully engaged.



- 15) With the gasket side facing down, nest the smoke trapping filter element into the pocket that forms the top of the odor absorbing canister. The filter may have a rectangular base so rotate as necessary. Replace the duct cover front panel by aligning the snaps and pressing each snap into position.



- 16) Refer to the Owner Maintenance Guide for Models Equipped with K250 Blower for proper hood operation. Test all blower and light functions to ensure they are operating properly.