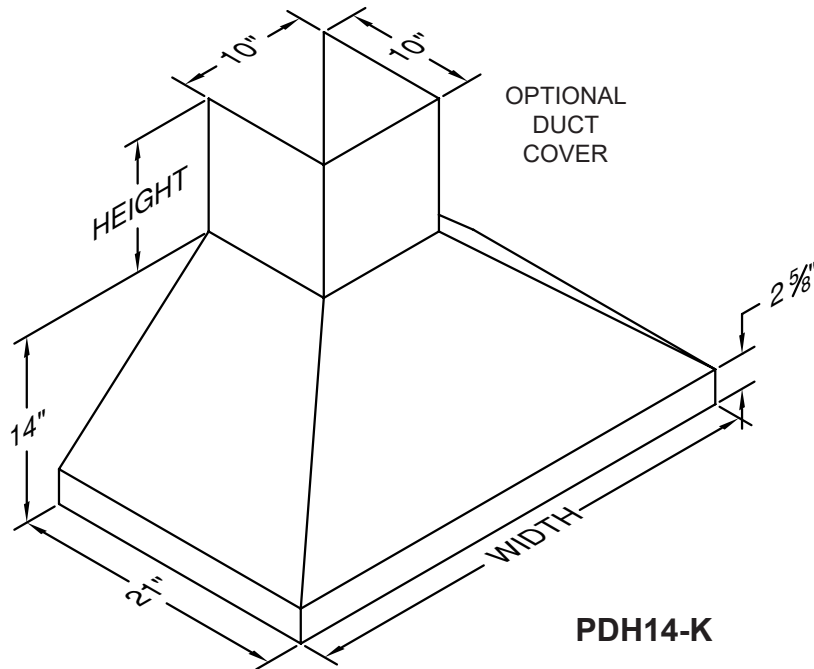
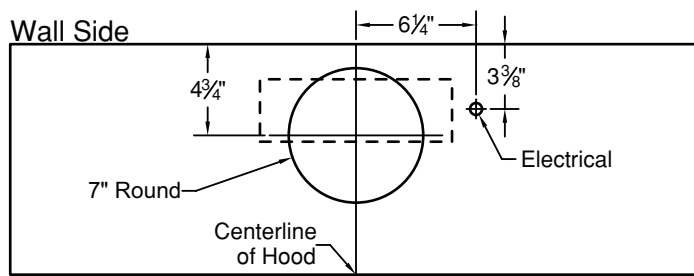


# Vent Hood® EUROSTYLE WALL MOUNT RANGE HOOD SPECIFICATIONS

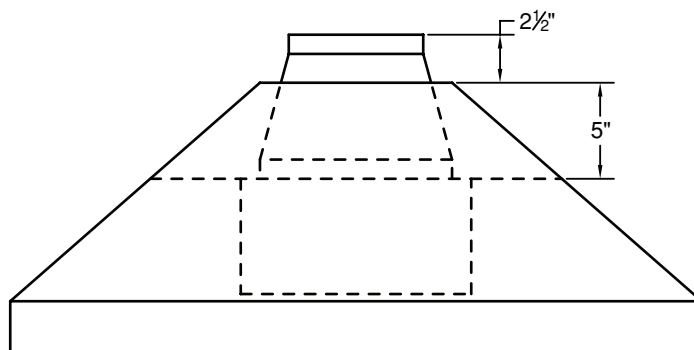
PDH14-K Equipped with halogen lighting. Not available with heat lamps. Shown with optional duct cover (sold separately). Optional duct covers available in standard and custom sizes.



## Connection Diagram (30" - 48" Widths)

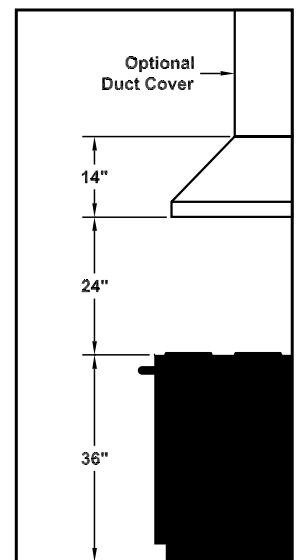


(Top View)



(Front View)

## Recommended Mounting Height



\*Recommended mounting height is for optimum performance.

## Electrical/Mechanical Specifications For Blower Units

Model	Volts	Amps	Hz	RPM	CFM SP@0.0"	Equivalent CFM*	CFM SP@0.1"	CFM SP@0.2"	CFM SP@0.3"	Minimum Round Duct Size	Sones#
K250 (Top Vent)	115	3.5	60	1550	250	375	223	220	190	7" (38 in. <sup>2</sup> )	7.4

Hood is available with halogen lights (2 lights: 30" - 41", 3 lights: 42" - 48").

\* Because the Power Lung® blower uses centrifugal filtration rather than conventional baffle or mesh filters, the Power Lung® blower can handle cooking equipment with higher cubic feet per minute (CFM) requirements and can deliver equivalent CFM much more efficiently than other filtration systems. When comparing the Power Lung® with other blower units made by other manufacturers, use the "Equivalent CFM".

# Ratings in accordance with the Standard Test Code by the Energy Systems Laboratory of the Texas Engineering Experiment Station.

SPECIFICATIONS SUBJECT TO CHANGE WITHOUT NOTICE Rev. 1017A

