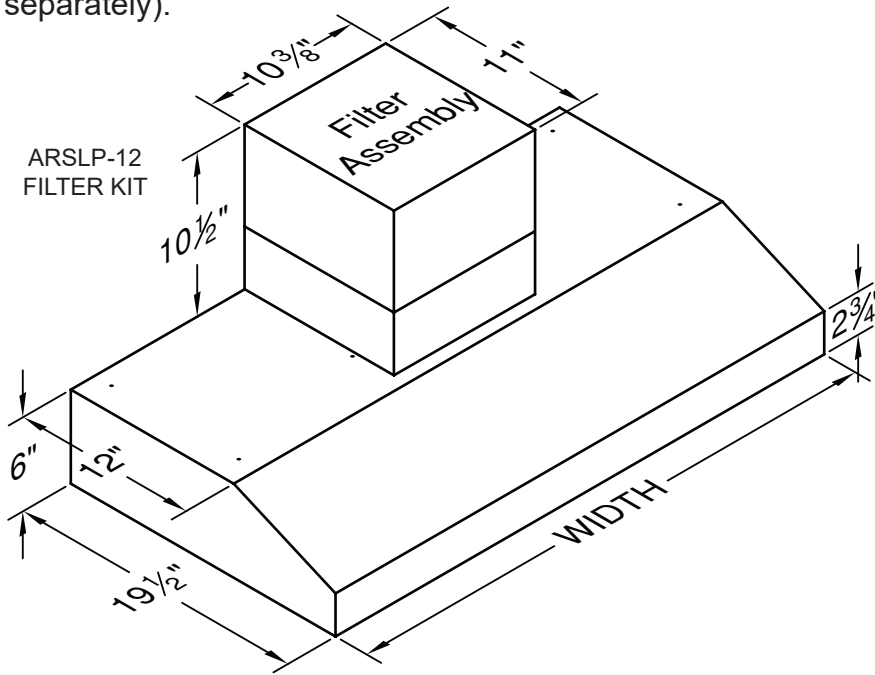
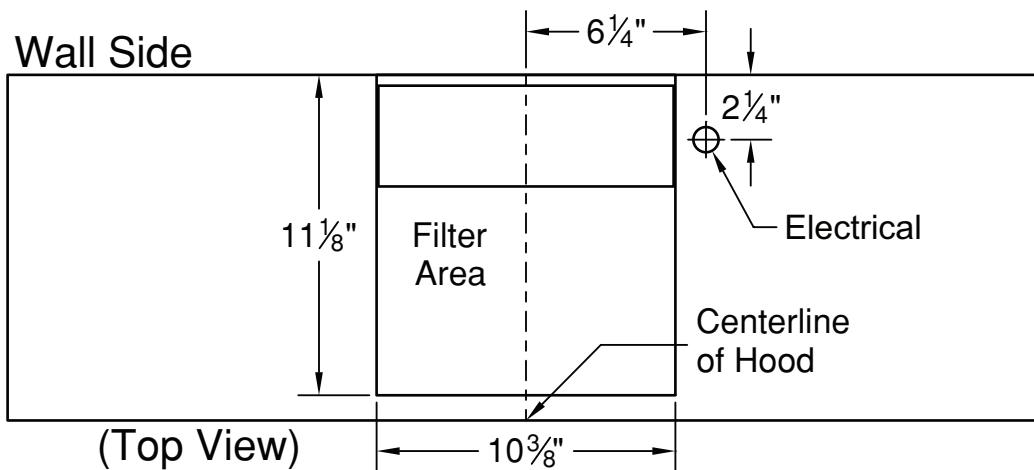


# Vent Hood® ARS/DUCT-FREE UNDER CABINET HOOD

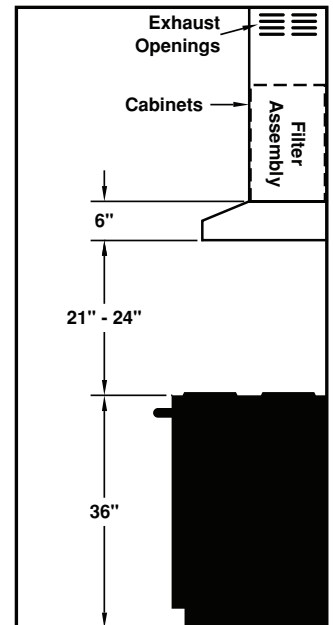
**PRAH6-K** Equipped with LED GU10 lighting. Available in 24", 30", 36", and 42" widths. Not available with heat lamps. Available in Biscuit, Black, Gunsmoke Gray, Stainless Steel, or White. Shown with ARSLP-12 kit (sold separately).



## Connection Diagram



## Recommended Mounting Height\*



\*Recommended mounting height is for optimum performance.

A minimum of 25 sq. in. of exhaust opening space per blower/filter assembly, located above the filter assembly outlet (top), is required for proper air recirculation.

Access to the filter assembly via access panel in the cabinet is required for routine filter maintenance.

## Electrical Specifications For Blower Unit

Model	Volts	Amps	Hz
K250 ARS	115	3.5	60

SPECIFICATIONS SUBJECT TO CHANGE WITHOUT NOTICE Rev. 1218A

