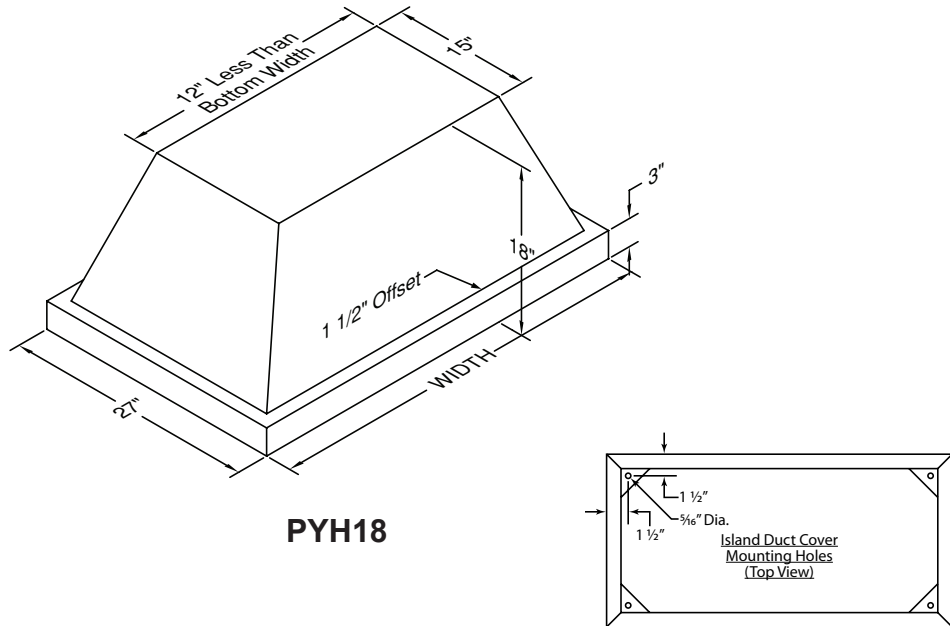
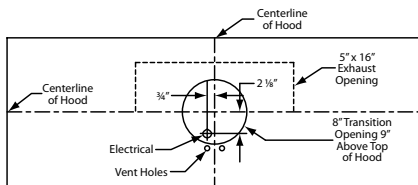


VentA Hood® ISLAND RANGE HOOD SPECIFICATIONS

PYH18 Equipped with LED lighting. Not available with heat lamps.

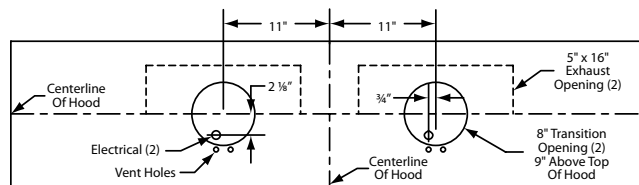


Connection Diagram (36" - 54")



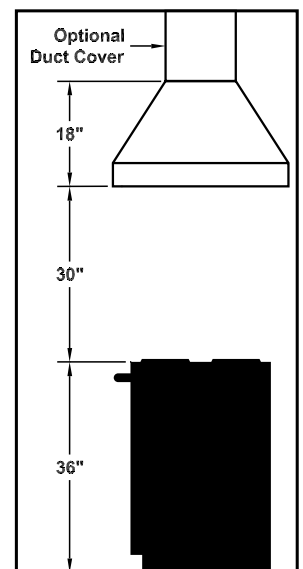
550 CFM T200 Dual Blower (Top View)

Connection Diagram (60" - 66")

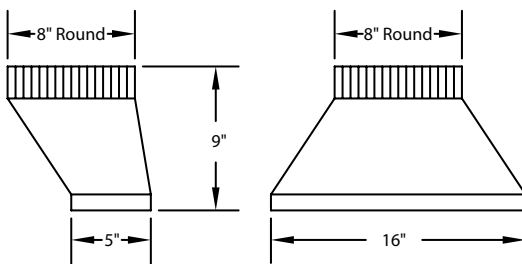


1100 CFM T2+ 200 Dual Blowers (Top View)

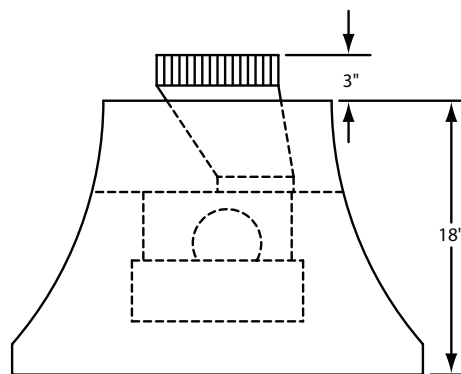
Recommended Mounting Height*



*Recommended mounting height is for optimum performance.



VP565 Standard Transition (Included)



Transition Installed (Side View)

Electrical/Mechanical Specifications For Blower Units

Model	Volts	Amps	Hz	RPM	CFM SP@0.0"	Equivalent CFM*	CFM SP@0.1"	CFM SP@0.2"	CFM SP@0.3"	Minimum Round Duct Size	Sones#
T200 Island Dual	115	4.0	60	1550	550	900	507	471	431	8" (50 in. ²)	6.0
Two T200 Island Duals	115	7.5	60	1550	1100	1800	1014	942	862	Two 8" (50 in. ²)	6.0

Hood is available LED lights (4 lights: 36" - 59", 6 lights: 60" - 66", +2 lights for each 14" if over 66").
 * Because the Magic Lung® blower uses centrifugal filtration rather than conventional baffle or mesh filters, the Magic Lung® blower can handle cooking equipment with higher cubic feet per minute (CFM) requirements and can deliver equivalent CFM much more efficiently than other filtration systems. When comparing the Magic Lung® with other blower units made by other manufacturers, use the "Equivalent CFM".
 # Ratings in accordance with the Standard Test Code by the Energy Systems Laboratory of the Texas Engineering Experiment Station.