

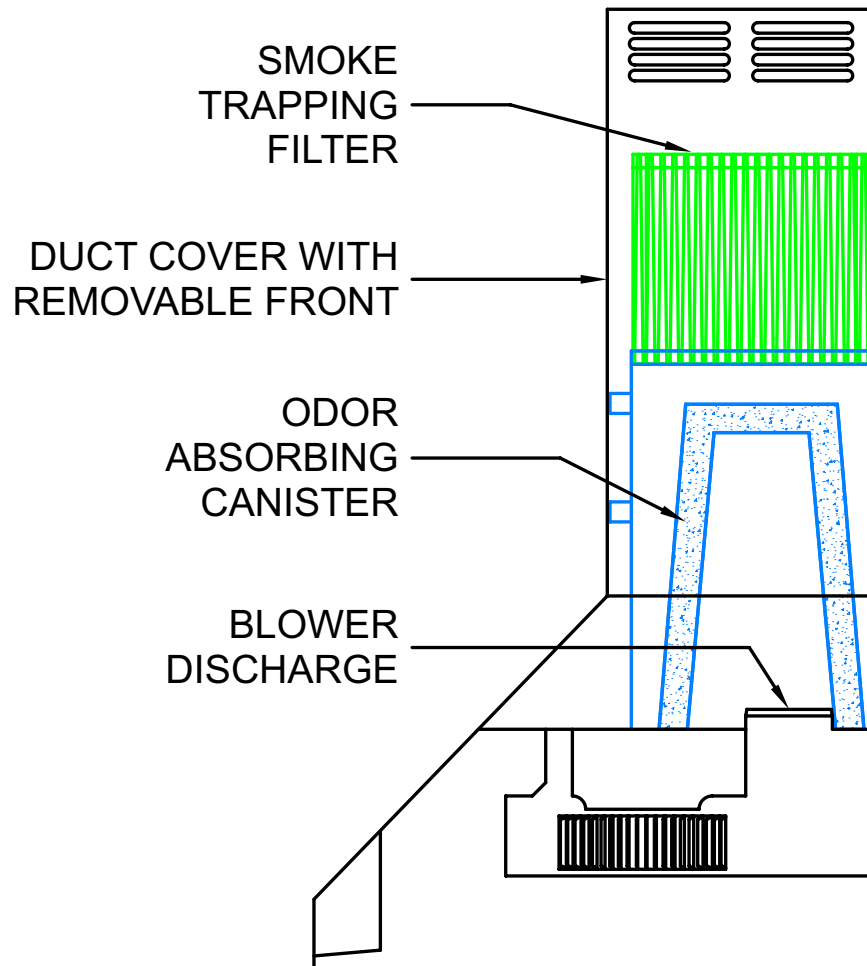
Vent-A-Hood®

Air Recovery System Installation and Replacement Details

Read and save these instructions. Read all instructions thoroughly before proceeding.

Filter installation will require the use of a step ladder and should only be performed by a qualified installer.

The Vent-A-Hood® Air Recovery System consists of three components: the housing which contains the filters and features a removable front cover and the air discharge vents; the odor absorbing canister which rests on the blower discharge; and the smoke trapping filter which rests on the odor absorbing filter outlet. See diagram below:

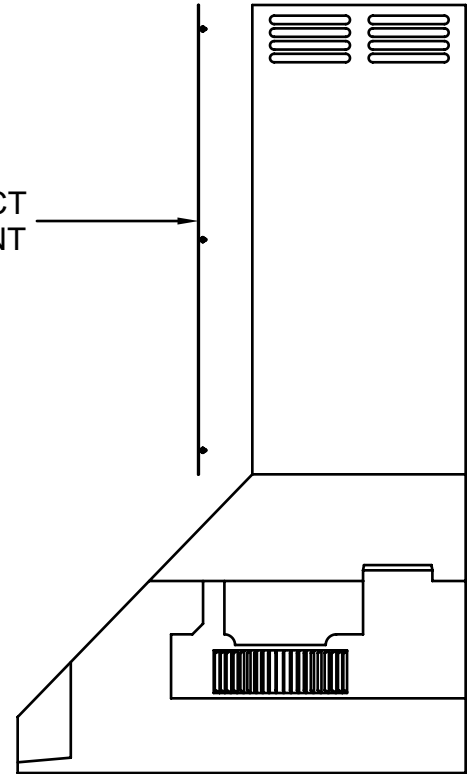


AIR RECOVERY SYSTEM

Installation

- 1) Remove the duct cover front panel. The panel is held in place with four snaps at the corners and at least one snap on the left and right. Begin by pulling the panel away at one corner using the suction cup provided with this manual. Work around the duct cover disengaging one snap at a time until all the snaps are loose. Beware of sharp corners and edges. Use caution to prevent bending, scratching or dropping the cover.

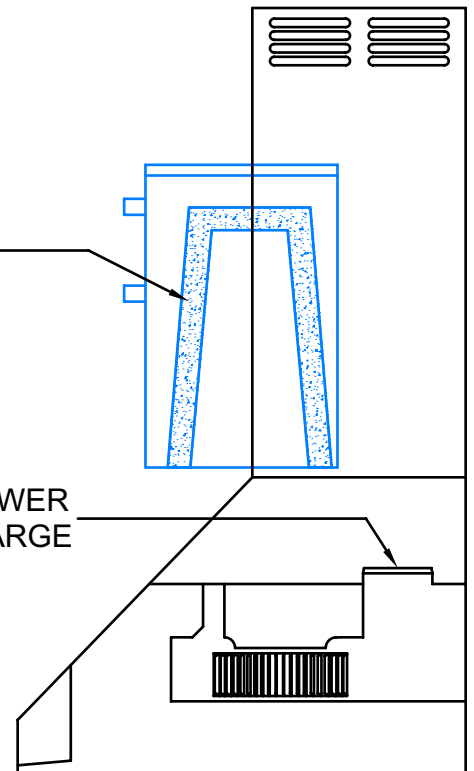
REMOVABLE DUCT
COVER FRONT



- 2) With the handles toward the front of the range hood, lift the odor absorbing canister. Hold the canister so that the canister bottom is just above the bottom of the duct cover opening and slide the canister into the duct cover.

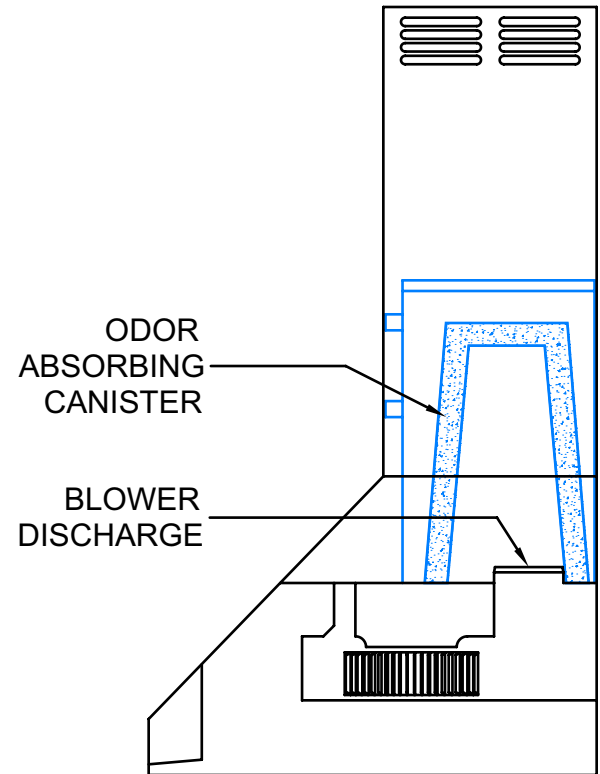
ODOR
ABSORBING
CANISTER

BLOWER
DISCHARGE

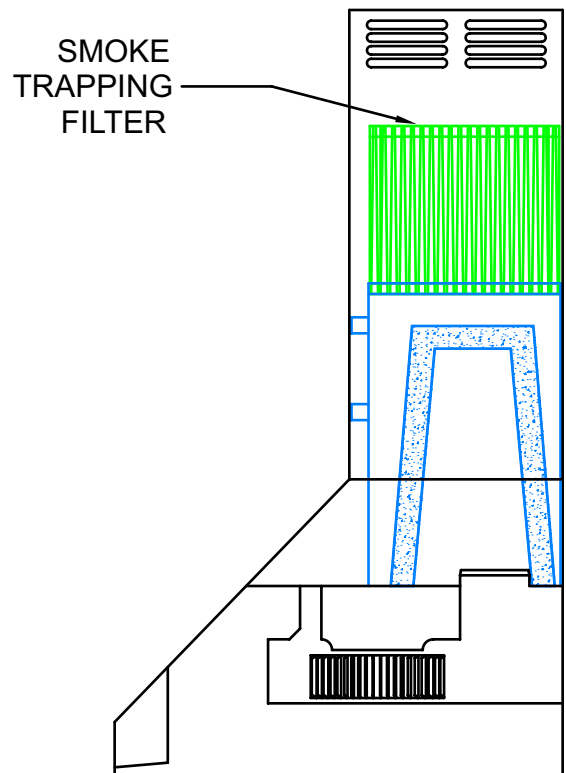


Vent Hood®

- 3) Move the canister all the way to the back and then lower the canister over the blower discharge. Shift the canister front to back and left to right to make sure that the blower discharge and canister have fully engaged.



- 4) With the gasket side facing down, nest the smoke trapping filter element into the pocket that forms the top of the odor absorbing canister. The filter may have a rectangular base so rotate as necessary. Replace the duct cover front panel by aligning the snaps and pressing each snap into position. Refer to the Owner and Maintenance Guide for Models Equipped with K250 Blower for hood operating instructions.





Replacement

- 1) Remove the duct cover front panel. The panel is held in place with four snaps at the corners and at least one snap on the left and right. Begin by pulling the panel away at one corner either with finger tips or a plastic utensil. Work around the duct cover disengaging one snap at a time until all the snaps are loose. Beware of sharp corners and edges. Use caution to prevent bending, scratching or dropping the cover.
- 2) Lift the smoke trapping filter upward and remove it forward out of the duct cover. Discard filter with household refuse.
- 3) Lift the odor absorbing canister by the handles. Raise the canister so that the canister bottom is just above the bottom of the duct cover opening and slide the canister out of the duct cover. Replace activated carbon media (see below) or discard filter with household refuse.
- 4) Install new filters following the installation procedures on page 2.

Replacing the Activated Carbon Media

- 1) Remove the odor absorbing canister by following the procedure above.
- 2) Remove the screws holding the cover inside the top of the odor absorbing canister.
- 3) Invert the odor absorbing canister over a household refuse container. Shake the odor absorbing canister to remove all of the used activated carbon pellets.
- 4) With the odor absorbing canister upright, refill the unit with the new activated carbon pellets (Vent-A-Hood® part number P/ARS-100). Lightly shake or vibrate the odor absorbing canister to settle the pellets. Fill all voids completely and leave a small mound of pellets above the cover opening to allow for future settling.
- 5) Replace the cover using the screws that were removed in step 2.